

Product Overview

M12Con-4-F-SC-R/ M12Con-5-F-SC-R/M12Con-8-F-SC-R M12 Female 4, 5 and 8 position Panel mounted Connector Solder Type Rear Fastened



8 position female connector

IP67 M12 straight shielded PCB Panel Mount 4, 5 and 8 position A coded connector. Designed for Sensors, actuators, and industrial controllers. 12mm threaded joint, quick easy mating and locking, even in places difficult to reach. Anti-vibration locking design.

Rated Current: 4, 5 pin 4A. 8 pin 2A.

Rated Voltage: 4, 5 pin 250V. 8 pin 60V.

Connector mounting: Rear fastened.

Mechanical Operation: >500 mating cycles.

Ingress Protection: IP67/IP68.

Insulation Resistance: $\geq 100\text{M}\Omega$.

Contact Resistance: $\leq 5\text{m}\Omega$.

Operating Temperature: -20°C to 80°C .

Materials and Coatings:

Contact Pin: Brass with gold plated.

Contact Termination: Solder cup.

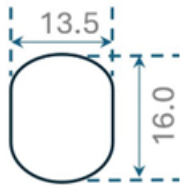
O-ring Seal: Epoxy resin/FKM.

Hex Nut: Brass with nickel plated.

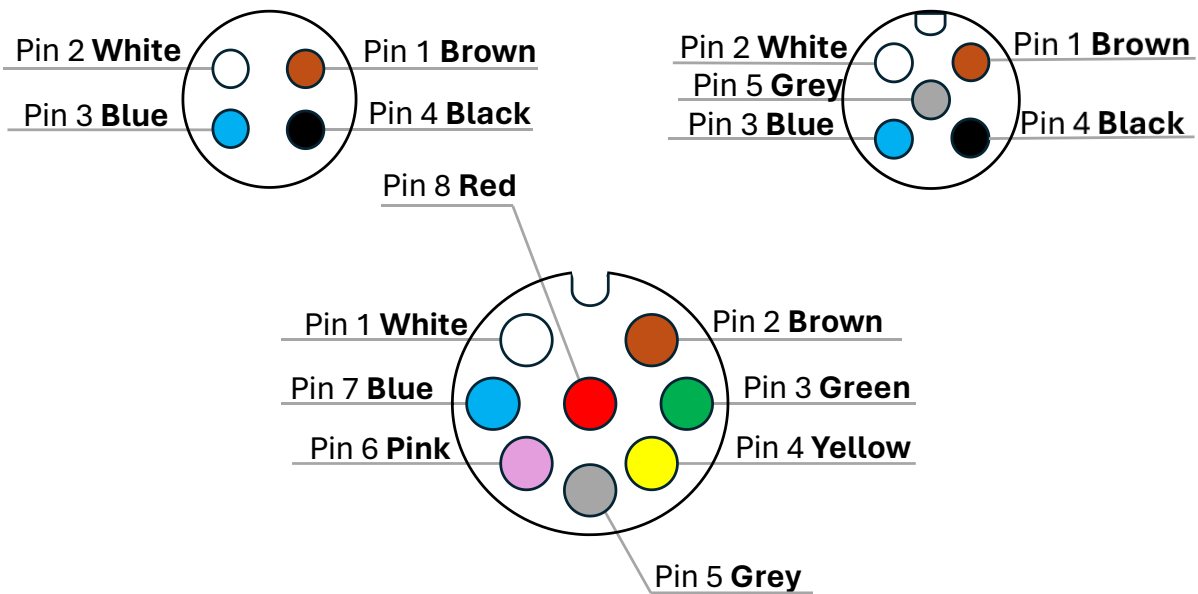
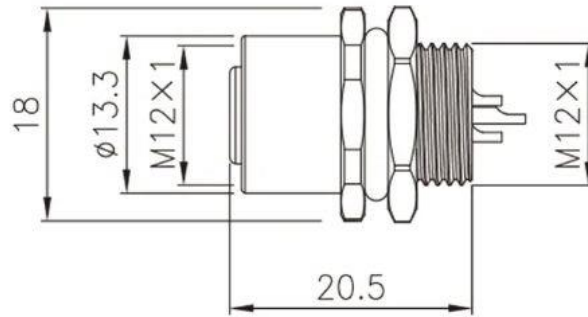
Screw Thread: M12X1.

Standard: IEC 61076-2-104

Dimensions in mm:



Panel Mounting Hole Size



Pin colour Identification.

Ordering information

Name	Description	Order Code
M12Con-4-F-SC-R	M12 4 pin female circular panel mount connector	M12Con-4-F-SC-R
M12Con-5-F-SC-R	M12 5 pin female circular panel mount connector	M12Con-5-F-SC-R
M12Con-8-F-SC-R	M12 8 pin female circular panel mount connector	M12Con-8-F-SC-R
Date		Notes
13 May 2024	Document version: v1.0	Initial Release



Low Power Radio Solutions Ltd
 Two Rivers industrial Estate
 Station Lane, Witney OX28 4BH, UK
 +44(0) 1993 709418
 sales@lprs.co.uk