

Product Overview

M12Con-4-M-PC-F/M12Con-5-M-PC-F/M12Con-8-M-PC-F M12 male Panel mounted Connector Solder Type Front Fastened



4 pin male connector

IP67 M12 straight shielded PCB Panel Mount 4, 5 or 8 pin A coded connector. Designed for Sensors, actuators, and industrial controllers. 12mm threaded joint, quick easy mating and locking, even in places difficult to reach. Anti-vibration locking design.

Rated Current: 4, 5 pin 4A. 8 pin 2A.

Rated Voltage: 4, 5 pin 250V. 8 pin 60V.

Connector mounting: Front fastened.

Mechanical Operation: >500 mating cycles.

Ingress Protection: IP67/IP68.

Insulation Resistance: $\geq 100\text{M}\Omega$.

Contact Resistance: $\leq 5\text{m}\Omega$.

Operating Temperature: -20°C to 80°C .

Materials and Coatings:

Contact Pin: Brass with gold plated.

Contact Termination: PCB pins.

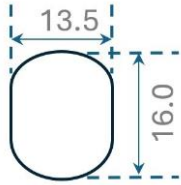
O-ring Seal: Epoxy resin/FKM.

Hex Nut: Brass with nickel plated.

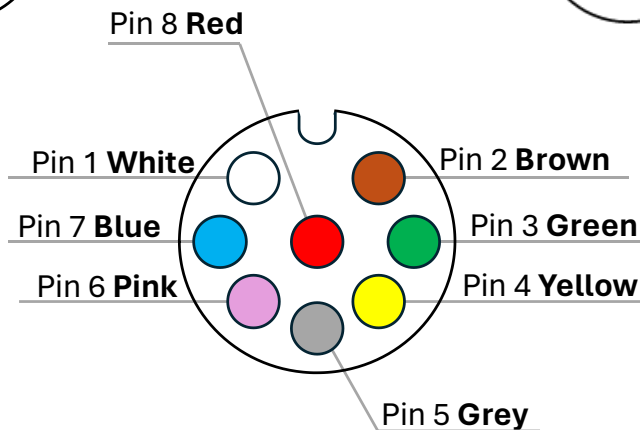
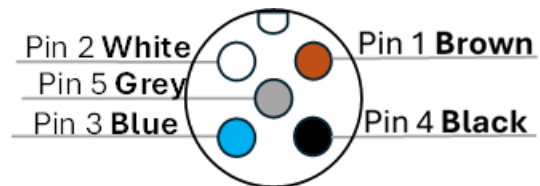
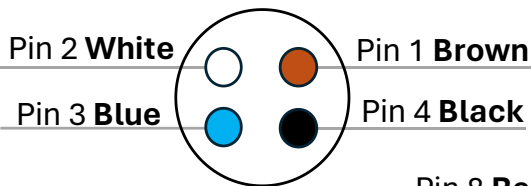
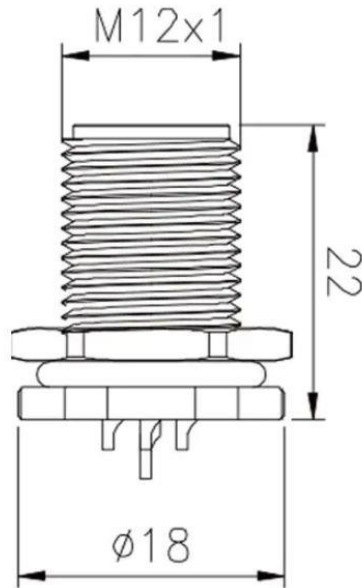
Screw Thread: M12X1.

Standard: IEC 61076-2-104

Dimensions in mm:



Panel Mounting Hole Size



Pin colour Identification.

Ordering information

Name	Description	Order Code
M12Con-4-M-PC-F	M12 4 pin male circular panel mount connector	M12Con-4-M-PC-F
M12Con-5-M-PC-F	M12 5 pin male circular panel mount connector	M12Con-5-M-PC-F
M12Con-8-M-PC-F	M12 8 pin male circular panel mount connector	M12Con-8-M-PC-F
Date		Notes
13 May 2024	Document version: v1.0	Initial Release



Low Power Radio Solutions Ltd
 Two Rivers industrial Estate
 Station Lane, Witney OX28 4BH, UK
 +44(0) 1993 709418
 sales@lprs.co.uk