



## Product Overview

### **M8Cab-3-F-WE-M/M8Cab-4-F-WE-M**

**M8 female moulded Connector with wire ends.**



**IP67 M8 straight moulded 3 or 4 position A coded connector with wire ends and a 1metre cable. Designed for Sensors, actuators, and industrial controllers. 8mm threaded joint, quick easy mating and locking, even in places difficult to reach. Anti-vibration locking design.**

Rated Current: 4A.

Rated Voltage: 60V.

Connector mounting: Rear fastened.

Mechanical Operation: >500 mating cycles.

Ingress Protection: IP67/IP68.

Insulation Resistance:  $\geq 100\text{M}\Omega$ .

Contact Resistance:  $\leq 5\text{m}\Omega$ .

Operating Temperature:  $-20^{\circ}\text{C}$  to  $80^{\circ}\text{C}$ .

**Materials and Coatings:**

Contact Pin: Brass with gold plated.

Contact Termination: Wire end 1m cable length.

O-ring Seal: Epoxy resin/FKM.

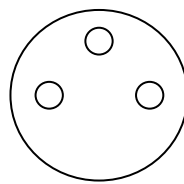
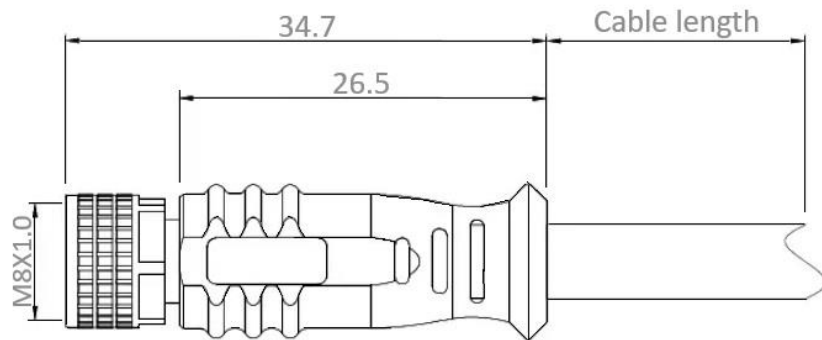
Hex Nut: Brass with nickel plated.

Screw Thread: M8X1.

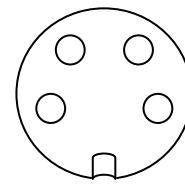
Standard: IEC 61076-2-104

Weight: 60g

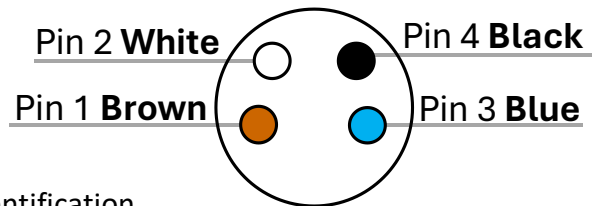
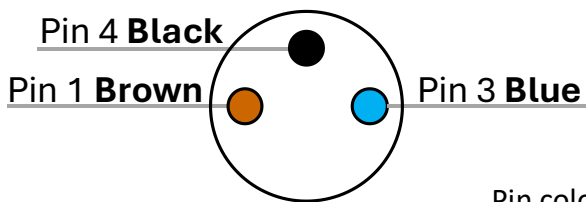
Dimensions in mm:



3 Pos.



4 Pos.



Pin colour Identification.

### Ordering information

Name	Description	Order Code
M8Cab-3-F-WE-M	M8 3 pin female circular moulded wire end connector	M8Cab-3-F-WE-M
M8Cab-4-F-WE-M	M8 4 pin female circular moulded wire end connector	M8Cab-4-F-WE-M

Date	Notes
02 May 2024	Document version: v1.0 Initial Release



**Low Power Radio Solutions Ltd**  
 Two Rivers industrial Estate  
 Station Lane, Witney OX28 4BH, UK  
 +44(0) 1993 709418  
 sales@lprs.co.uk