



Product Overview

M8Cab-3-F-WE-R/M8Cab-4-F-WE-R

M8 female Panel mounted Connector wire end Rear Fastened



IP67 M8 straight shielded PCB Panel Mount 3 or 4 position A coded connector. Designed for Sensors, actuators, and industrial controllers. 8mm threaded joint, quick easy mating and locking, even in places difficult to reach. Anti-vibration locking design.

Rated Current: 4A.

Rated Voltage: 60V.

Connector mounting: Rear fastened.

Mechanical Operation: >500 mating cycles.

Ingress Protection: IP67/IP68.

Insulation Resistance: $\geq 100\text{M}\Omega$.

Contact Resistance: $\leq 5\text{m}\Omega$.

Operating Temperature: -20°C to 80°C .

Materials and Coatings:

Contact Pin: Brass with gold plated.

Contact Termination: Wire end 10cm.

O-ring Seal: Epoxy resin/FKM.

Hex Nut: Brass with nickel plated.

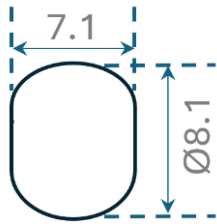
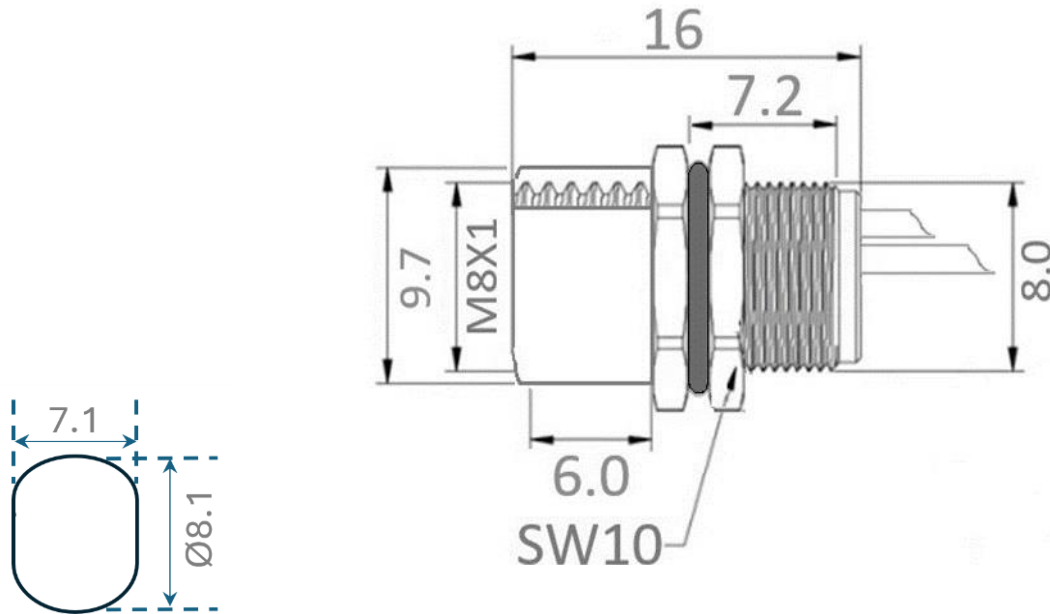
Screw Thread: M8X1.

Standard: IEC 61076-2-104

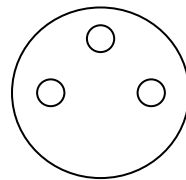
Weight: 7g



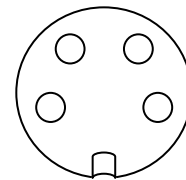
Dimensions in mm:



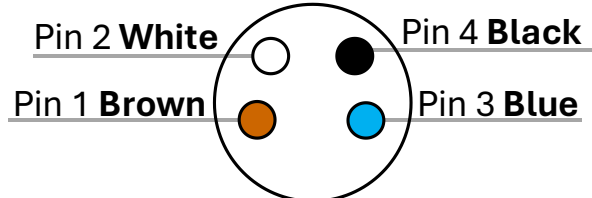
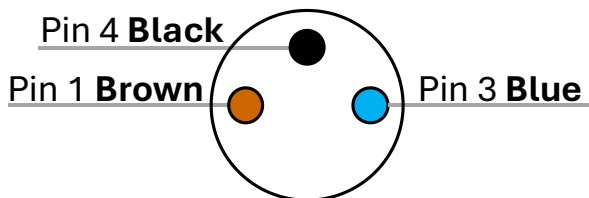
Panel Mounting Hole Size



3 Pos.



4 Pos.



Pin colour Identification.

Ordering information

Name	Description	Order Code
M8Cab-3-F-WE-R	M8 3 pin female circular panel mount wired connector	M8Cab-3-F-WE-R
M8Cab-4-F-WE-R	M8 4 pin female circular panel mount wired connector	M8Cab-4-F-WE-R

Date	Notes
02 May 2024	Document version: v1.0 Initial Release



Low Power Radio Solutions Ltd
 Two Rivers industrial Estate
 Station Lane, Witney OX28 4BH, UK
 +44(0) 1993 709418
 sales@lprs.co.uk